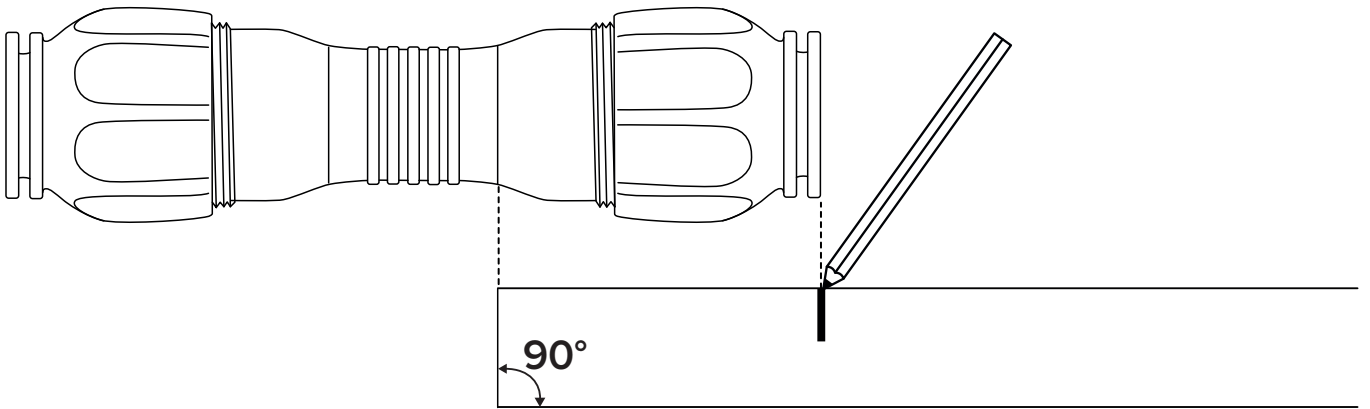


FLEXIFLEXI 

1



2

